

# SV51 ■ LCD Stand 14"-26"



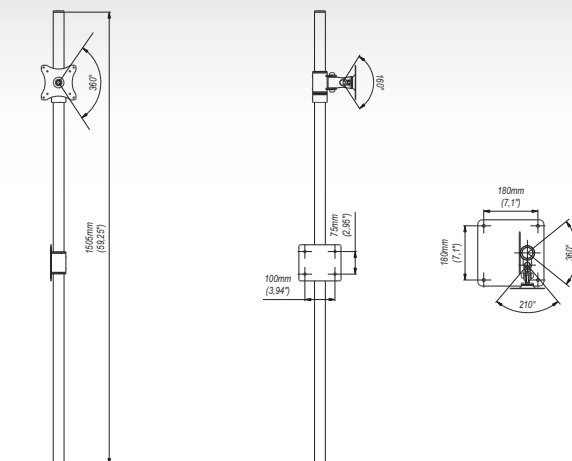
## Features

- 1 FLOOR-MOUNTED BASE
- 2 ADJUSTABLE HEIGHT:  
variable from 1505 mm
- 3 ADJUSTABLE POSITION  
vertical and horizontal with 360° rotation



## Technical Data

 75x75 mm 100x100 mm	 14"-26"	 10 Kg	 min. 75x75 mm max. 100x100 mm
 160°	 1505 mm		
 360°			



## Accessories

Series GDA



## Trade Information

Index	Colour	Package	EAN
SV51c-B	■	■	5908252961238
SV51s-B	■	■	5908252961245

Package Dimensions [mm] (H x W x D)	1650x220x230
Weight [Kg]	9